

# CSW-WASHDOWN End-of-Line Check Weigher

*You solution for efficient,  
accurate end-of-line weighing*



## About the CSW-Washdown

The wash down version of the CSW Checkweigher uses IP69K load cells stainless steel bearings, gearbox and motor and stainless components. Aluminum components are hard-anodized. The main electrical enclosure and operator interface console are Nema 4X stainless steel.

## 3 Key Benefits

- **Industrial Design** - The unique “Lifting Weigh Platform” allows the product to be weighed without having to weigh the entire conveyor. This protects the load cells from possible damage caused by excessive weight or force being applied to the conveyor and produces highly accurate results. Industrial conveyor components are used without regard to their weight.
- **Standard Controls** - the CSW Check Weigher is controlled by industry standard PLCs instead of proprietary digital control boards. Most plant maintenance technicians are familiar with PLCs, so minimum training is required. The CSW Weigher easily interfaces with external devices such as barcode scanners, printers, and SCADA systems via RS232, Ethernet, or PLC communication protocols.
- **Compact Footprint** - All functions of the CSW Weighing System – Next Case Holdback, Weighing, and Reject – occur in a length of just over 3 feet. With the CSW Weigher, there is no need for a separate sequencing or reject conveyor.

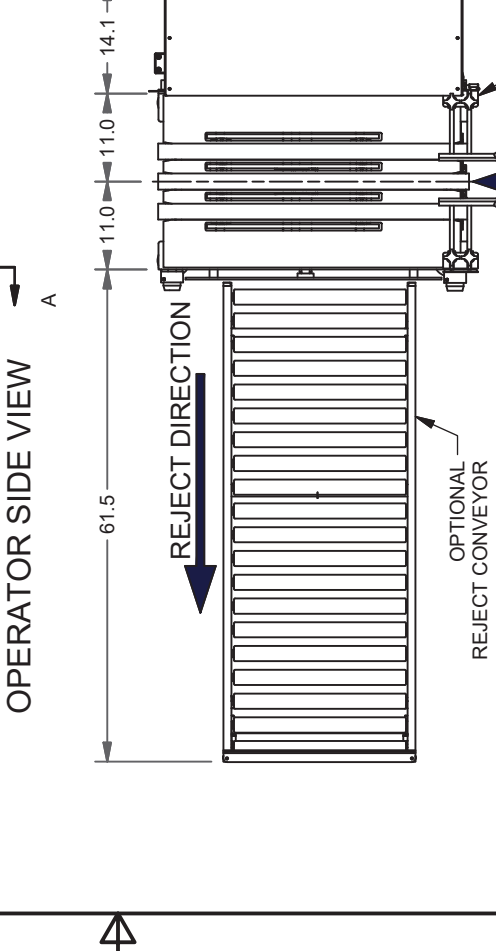
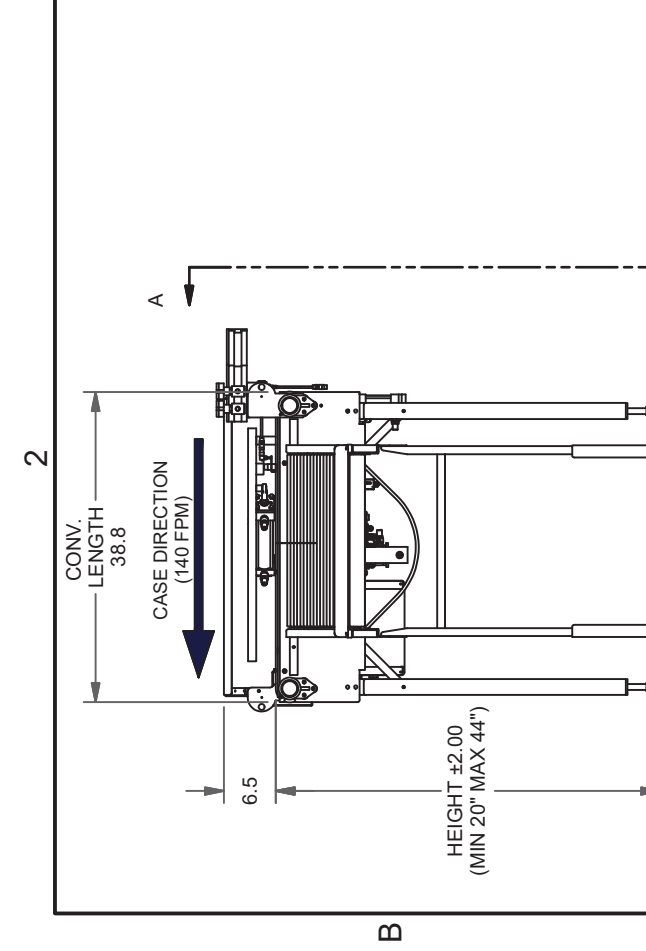
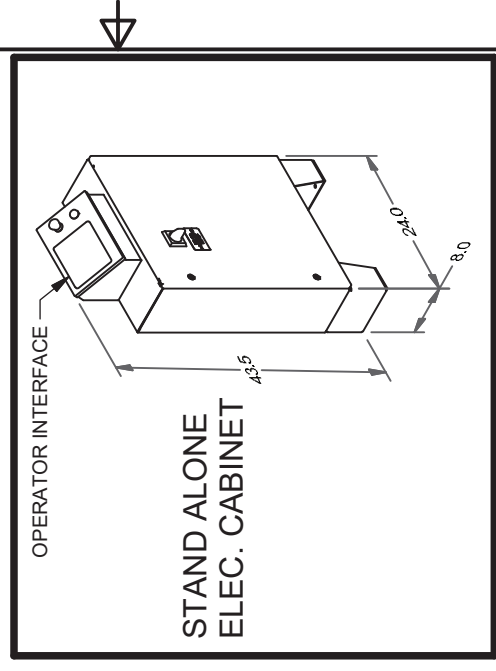
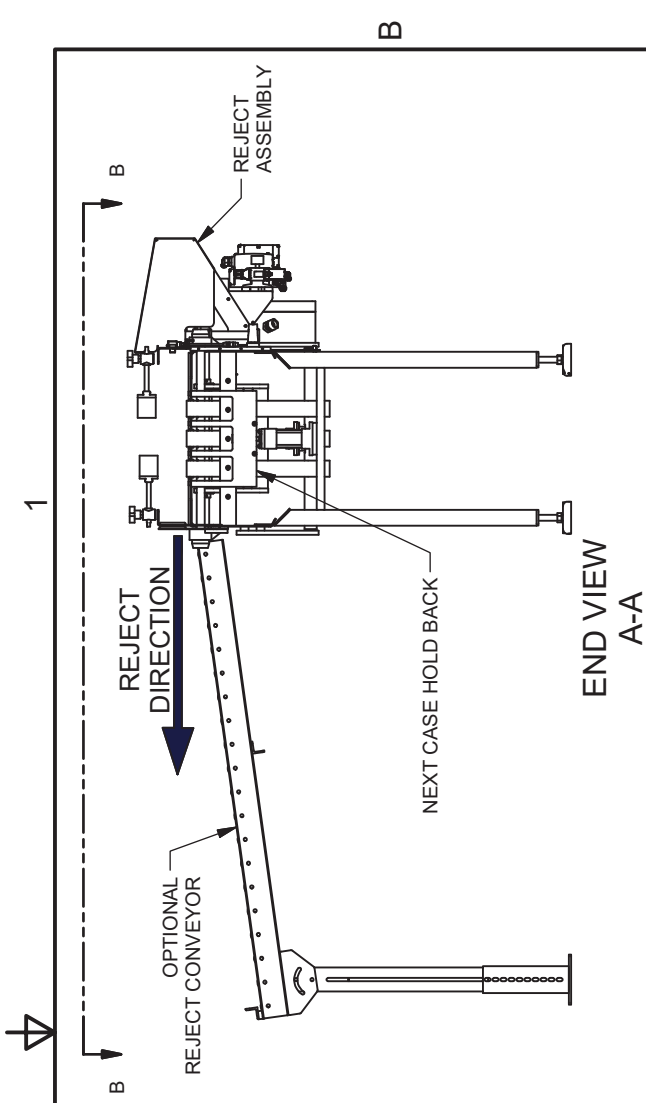
Packaging Distributors, Inc.

[www.pdimachinery.com](http://www.pdimachinery.com)

P (254) 848-8123

E [rjf@pdimachinery.com](mailto:rjf@pdimachinery.com)





TOLERANCE UNLESS NOTED	PACKAGING DISTRIBUTORS, INC.	
DECIMAL X.XX = ±0.010 X.XXX = ±0.003	SCALE NTS	DRAWN BY S FIRMIN DESIGNER Richard Fallas
FRACTIONAL X / X = ± 1 / 32	TITLE WASH DOWN CSW MAIN ASSEMBLY (RIGHT HAND)	
ANGULAR ±0.5	DATE 9/20/2017	DRAWING NUMBER CSW1011
REV	REV/DESCRIPTION	SHEET NO. 1 of 1
		REV BY ECN

**NOTE:**  
 RIGHT HAND MODEL SHOWN  
 LEFT HAND MODEL AVAILABLE

**ELECTRICAL REQUIREMENTS:** 120 VAC 1-PHASE FUSED @ 5 AMPS  
**AIR REQUIREMENTS:** 60 PSI < 3 SCFM  
 QUICK DISCONNECT 1/4" COUPLING

MAXIMUM CASE DIMENSION (INCHES) 25L X 18W  
 MINIMUM CASE DIMENSION (INCHES) 4L X 4W