

CSW-MINI End-of-Line Check Weigher

*You solution for efficient,
accurate end-of-line weighing*



About the CSW-MINI

The CSW Mini Checkweigher is the most compact version of the CSW Series “End of Line” Checkweighers to fit in the most space restricted layout. As with the CSW and CSW Wash Down, the CSW Mini includes case holdback, weighing, and reject functions.

3 Key Benefits

- **Industrial Design** - The unique “Lifting Weigh Platform” allows the product to be weighed without having to weigh the entire conveyor. This protects the load cells from possible damage caused by excessive weight or force being applied to the conveyor and produces highly accurate results. Industrial conveyor components are used without regard to their weight.
- **Standard Controls** - the CSW Check Weigher is controlled by industry standard PLCs instead of proprietary digital control boards. Most plant maintenance technicians are familiar with PLCs, so minimum training is required. The CSW Weigher easily interfaces with external devices such as barcode scanners, printers, and SCADA systems via RS232, Ethernet, or PLC communication protocols.
- **Compact Footprint** - All functions of the CSW Weighing System – Next Case Holdback, Weighing, and Reject – occur in a length of just over 3 feet. With the CSW Weigher, there is no need for a separate sequencing or reject conveyor.

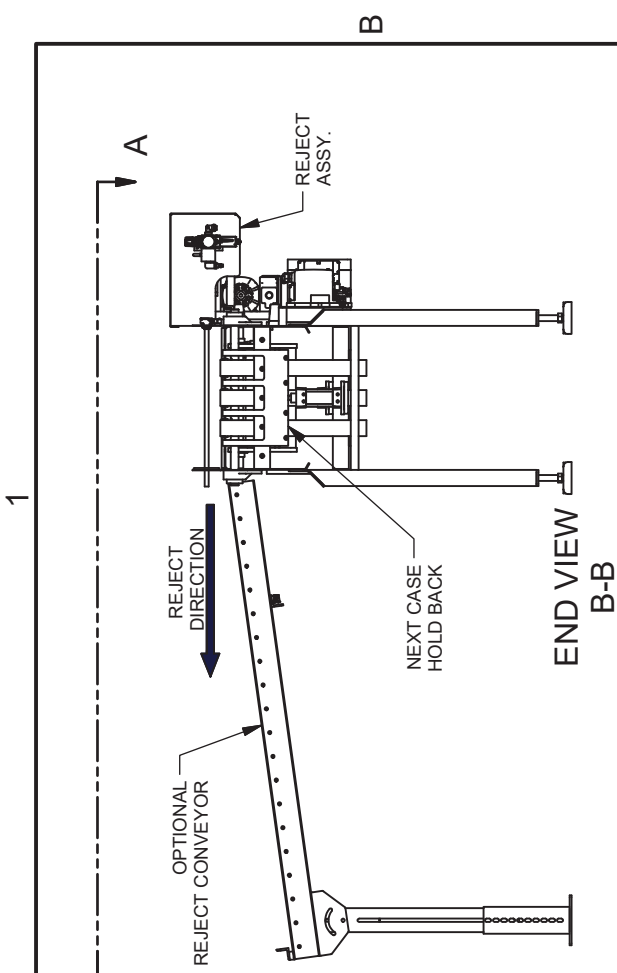
Packaging Distributors, Inc.

www.pdimachinery.com

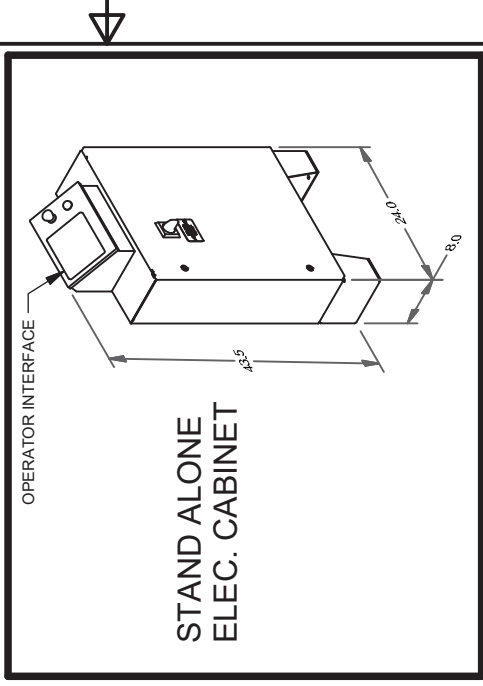
P (254) 848-8123

E rjf@pdimachinery.com

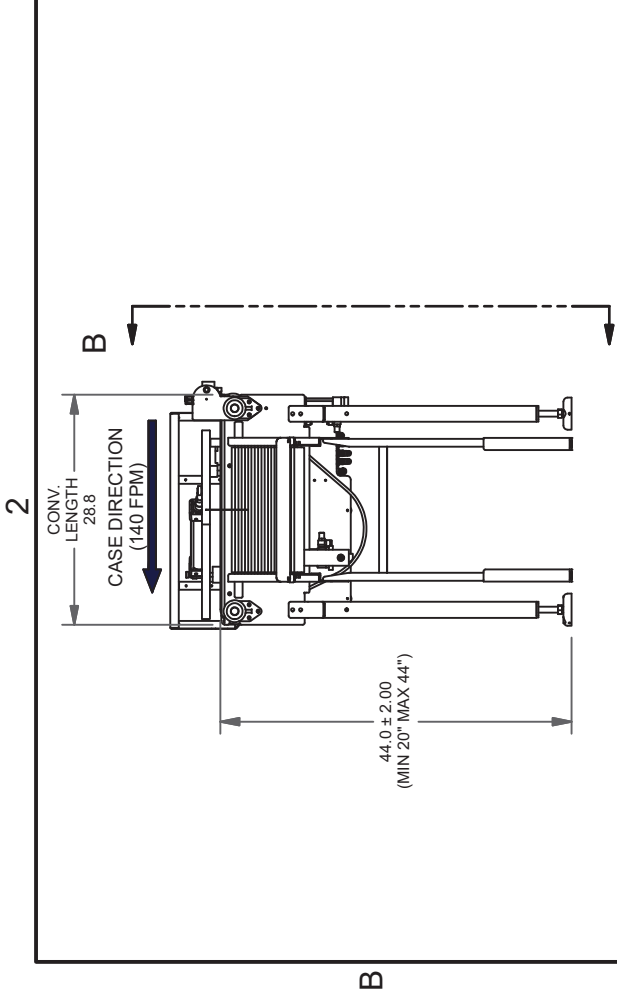




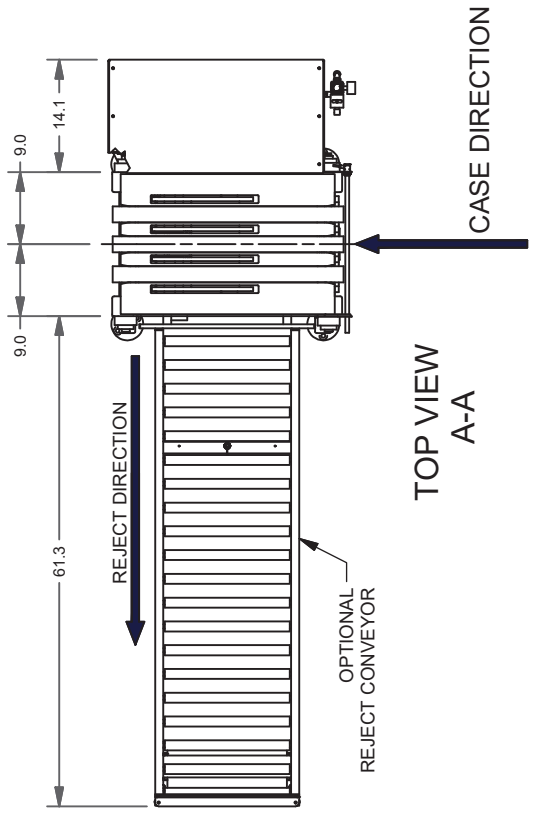
END VIEW
B-B



STAND ALONE
ELEC. CABINET



OPERATOR SIDE VIEW



TOP VIEW
A-A

TOLERANCE UNLESS NOTED		PROJECT		SCALE		DRAWN BY S.FIRMIN	
DECIMAL X.XX = ±0.010 X.XXX = ±0.003		CSW MINI MAIN ASSEMBLY (RIGHT HAND)		CSW1514RH		DESIGNER Richard Fallas	
FRACTIONAL $X = \pm \frac{1}{32}$		DATE		DRAWING NUMBER		SHEET NO.	
ANGULAR ±0.5		9/20/2017		CSW1514RH		1 of 1	
REV	REV DESCRIPTION			REV BY		ECN	

PACKAGING DISTRIBUTORS, INC.

NOTE:
 RIGHT HAND MODEL SHOWN
 LEFT HAND MODEL AVAILABLE
ELECTRICAL REQUIREMENTS: 120 VAC 1-PHASE FUSED @ 5 AMPS
AIR REQUIREMENTS: 60 PSI < 3 SCFM
 QUICK DISCONNECT 1/4" COUPLING

MAXIMUM CASE DIMENSION (INCHES) 18L X 14W
 MINIMUM CASE DIMENSION (INCHES) 4L X 4W